



STUDIO
BOVTI

KATCHKA
DATASHEET

KATCHKA VASE - LAYING



FACTS

Object Type:	vase
Composition:	sand, resin
Dimensions:	22 x 22 x 22 cm
Colour:	beige
Lead Time:	6-8 weeks
Customization:	available
Weight:	2 kg
Editions:	open edition, numbered and signed

USAGE INSTRUCTIONS

Katchka is a unique art vase, crafted using 3D-printed sand and coated with resin. To maintain its beauty and durability, please follow these care guidelines:

Handling: Always lift and carry Katchka by its base to avoid damage. Do not drag or push it across the table—always lift it carefully when repositioning.

Surface Protection: The sand-based structure is delicate—avoid placing sharp or abrasive objects on the surface. Protect Katchka from direct impacts or scratches.

Water Resistance: Katchka is fully waterproof, making it suitable for floral arrangements. Water can be added without damaging the structure.

Moisture & Temperature: Keep Katchka indoors, away from extreme temperature changes. Direct sunlight or high humidity may affect the surface over time.

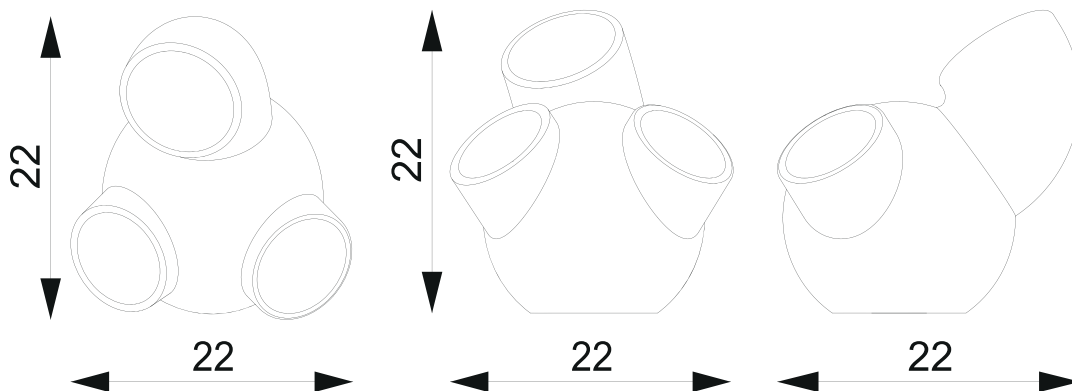
Placement: Ensure Katchka stands on a flat, stable surface, such as a table, to maintain balance and longevity.

Cleaning: Use a soft, dry, or slightly damp cloth for cleaning. Avoid harsh cleaning agents, as they may damage the resin coating.

Outdoor Use: Katchka is not designed for outdoor environments.



DIMENSIONS



KATCHKA VASE - STANDING



FACTS

Object Type:	vase
Composition:	sand, resin
Dimensions:	17 x 17 x 27 cm
Colour:	beige
Lead Time:	6-8 weeks
Customization:	available
Weight:	2 kg
Editions:	open edition, numbered and signed

USAGE INSTRUCTIONS

Katchka is a unique art vase, crafted using 3D-printed sand and coated with resin. To maintain its beauty and durability, please follow these care guidelines:

Handling: Always lift and carry Katchka by its base to avoid damage. Do not drag or push it across the table—always lift it carefully when repositioning.

Surface Protection: The sand-based structure is delicate—avoid placing sharp or abrasive objects on the surface. Protect Katchka from direct impacts or scratches.

Water Resistance: Katchka is fully waterproof, making it suitable for floral arrangements. Water can be added without damaging the structure.

Moisture & Temperature: Keep Katchka indoors, away from extreme temperature changes. Direct sunlight or high humidity may affect the surface over time.

Placement: Ensure Katchka stands on a flat, stable surface, such as a table, to maintain balance and longevity.

Cleaning: Use a soft, dry, or slightly damp cloth for cleaning. Avoid harsh cleaning agents, as they may damage the resin coating.

Outdoor Use: Katchka is not designed for outdoor environments.



DIMENSIONS

