



STUDIO  
**BOVTI**

ANIMAL LIGHTS  
DATASHEET

# ANIMAL LIGHTS - WORM



## FACTS

|                |                                      |
|----------------|--------------------------------------|
| Object Type:   | desk lamp                            |
| Composition:   | plaster, pla                         |
| Dimensions:    | 18 x 8 x 45 cm                       |
| Colour:        | yellow                               |
| Lead Time:     | 6-8 weeks                            |
| Customization: | available                            |
| Weight:        | 3 kg                                 |
| Editions:      | open edition,<br>numbered and signed |

## USAGE INSTRUCTIONS

Animal Lights are decorative lamps crafted from gypsum and coated with resin for protection and durability. To maintain their quality and appearance, please follow these guidelines:

**Cleaning:** Use a soft, dry, or slightly damp cloth for cleaning. Avoid harsh chemicals, as they may damage the resin coating.

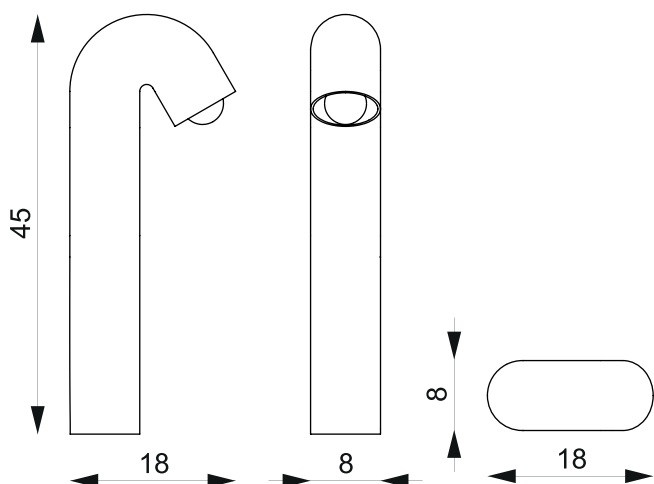
**Avoid Direct Sunlight:** Prolonged exposure to strong sunlight may cause discoloration or changes in the material over time.

**Handling:** Lift and move Animal Lights with care, holding them by the sturdy parts of the structure. Avoid excessive moisture, as it can damage the gypsum material. Do not expose Animal Lights to water or high humidity. If the surface becomes dirty, gently wipe it clean with a soft cloth. Avoid using abrasive cleaners or scrubbing pads that could scratch the resin finish.

Ensure that Animal Lights are placed on stable surfaces to prevent tipping over. Keep Animal Lights away from heat sources to prevent any damage to the resin and gypsum. By following these guidelines, you help preserve the beauty and functionality of these unique lamps.



## DIMENSIONS



# ANIMAL LIGHTS - MONKEY



## FACTS

|                |                                      |
|----------------|--------------------------------------|
| Object Type:   | desk lamp                            |
| Composition:   | plaster, pla                         |
| Dimensions:    | 29 x 14 x 25 cm                      |
| Colour:        | black                                |
| Lead Time:     | 6-8 weeks                            |
| Customization: | available                            |
| Weight:        | 3 kg                                 |
| Editions:      | open edition,<br>numbered and signed |

## USAGE INSTRUCTIONS

Animal Lights are decorative lamps crafted from gypsum and coated with resin for protection and durability. To maintain their quality and appearance, please follow these guidelines:

**Cleaning:** Use a soft, dry, or slightly damp cloth for cleaning. Avoid harsh chemicals, as they may damage the resin coating.

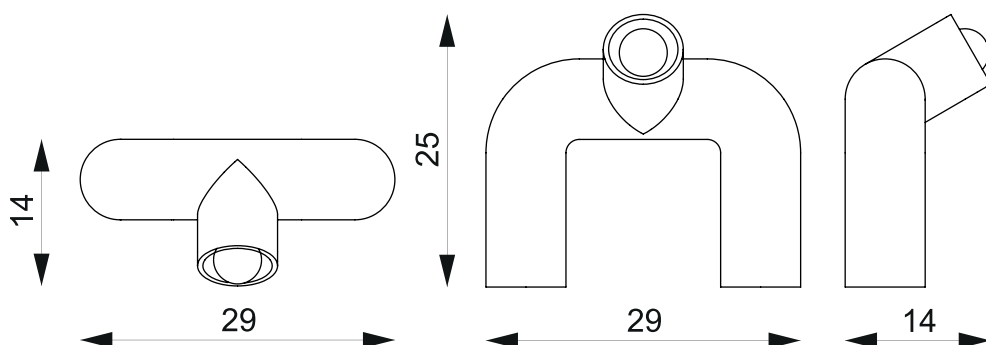
**Avoid Direct Sunlight:** Prolonged exposure to strong sunlight may cause discoloration or changes in the material over time.

**Handling:** Lift and move Animal Lights with care, holding them by the sturdy parts of the structure. Avoid excessive moisture, as it can damage the gypsum material. Do not expose Animal Lights to water or high humidity. If the surface becomes dirty, gently wipe it clean with a soft cloth. Avoid using abrasive cleaners or scrubbing pads that could scratch the resin finish.

Ensure that Animal Lights are placed on stable surfaces to prevent tipping over. Keep Animal Lights away from heat sources to prevent any damage to the resin and gypsum. By following these guidelines, you help preserve the beauty and functionality of these unique lamps.



## DIMENSIONS





## FACTS

|                |                                      |
|----------------|--------------------------------------|
| Object Type:   | desk lamp                            |
| Composition:   | plaster, pla                         |
| Dimensions:    | 34 x 13 x 28 cm                      |
| Colour:        | creme white                          |
| Lead Time:     | 6-8 weeks                            |
| Customization: | available                            |
| Weight:        | 3 kg                                 |
| Editions:      | open edition,<br>numbered and signed |

## USAGE INSTRUCTIONS

Animal Lights are decorative lamps crafted from gypsum and coated with resin for protection and durability. To maintain their quality and appearance, please follow these guidelines:

**Cleaning:** Use a soft, dry, or slightly damp cloth for cleaning. Avoid harsh chemicals, as they may damage the resin coating.

**Avoid Direct Sunlight:** Prolonged exposure to strong sunlight may cause discoloration or changes in the material over time.

**Handling:** Lift and move Animal Lights with care, holding them by the sturdy parts of the structure. Avoid excessive moisture, as it can damage the gypsum material. Do not expose Animal Lights to water or high humidity. If the surface becomes dirty, gently wipe it clean with a soft cloth. Avoid using abrasive cleaners or scrubbing pads that could scratch the resin finish.

Ensure that Animal Lights are placed on stable surfaces to prevent tipping over. Keep Animal Lights away from heat sources to prevent any damage to the resin and gypsum. By following these guidelines, you help preserve the beauty and functionality of these unique lamps.



## DIMENSIONS

